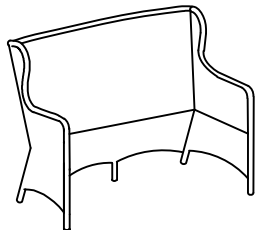
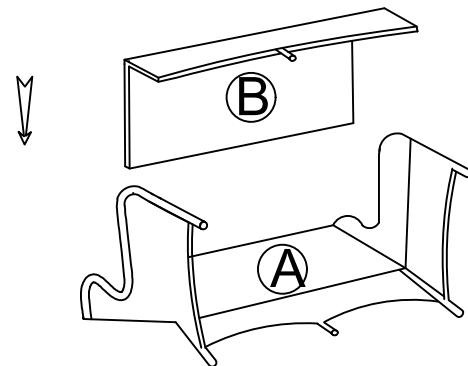


# ASSEMBLY INSTRUCTION

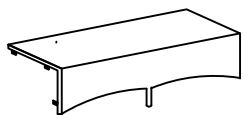
Ⓐ 1 pc



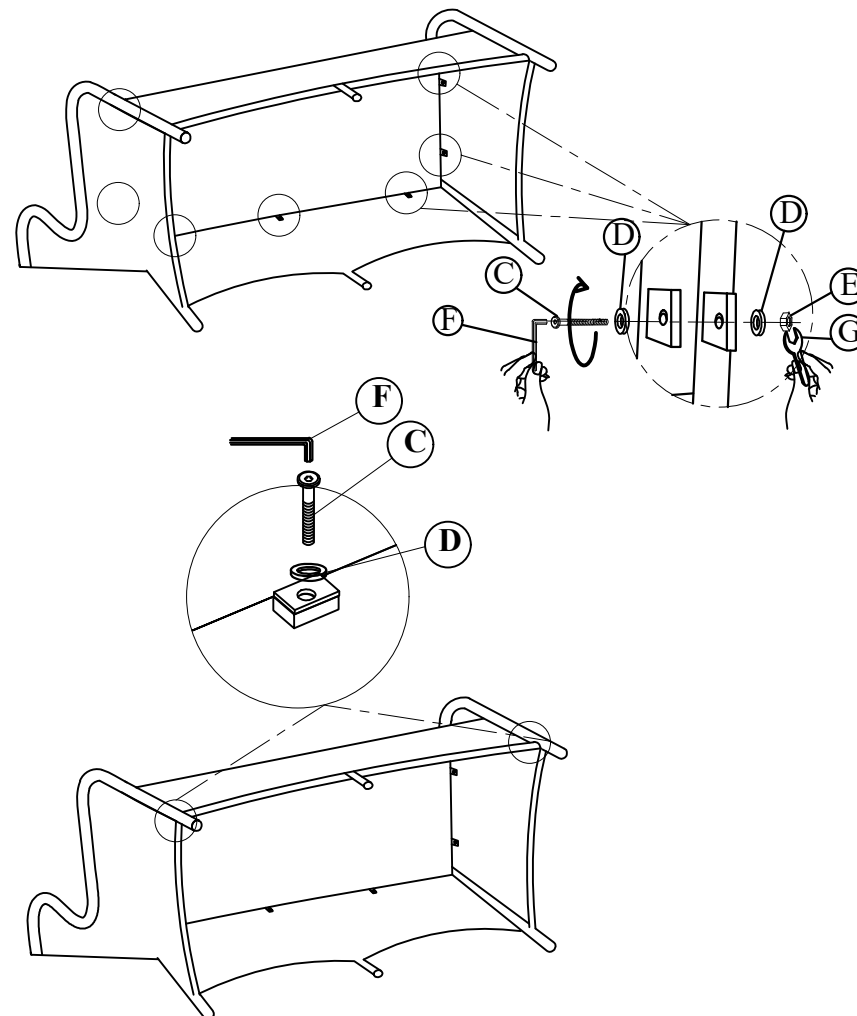
STEP 1



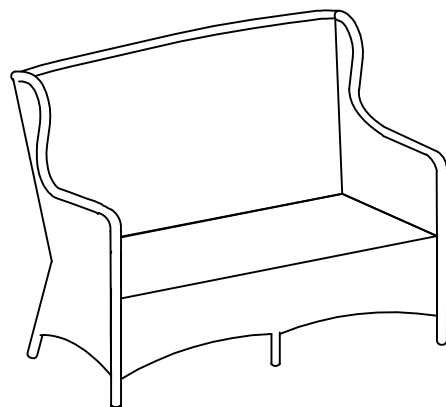
Ⓑ 1 pc



STEP 2



STEP 3



Ⓒ M 8x30 mm : 10 pcs



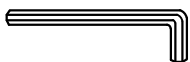
Ⓓ 18 pcs



Ⓔ 8 pcs



Ⓕ 1pc



Ⓖ 1pc

